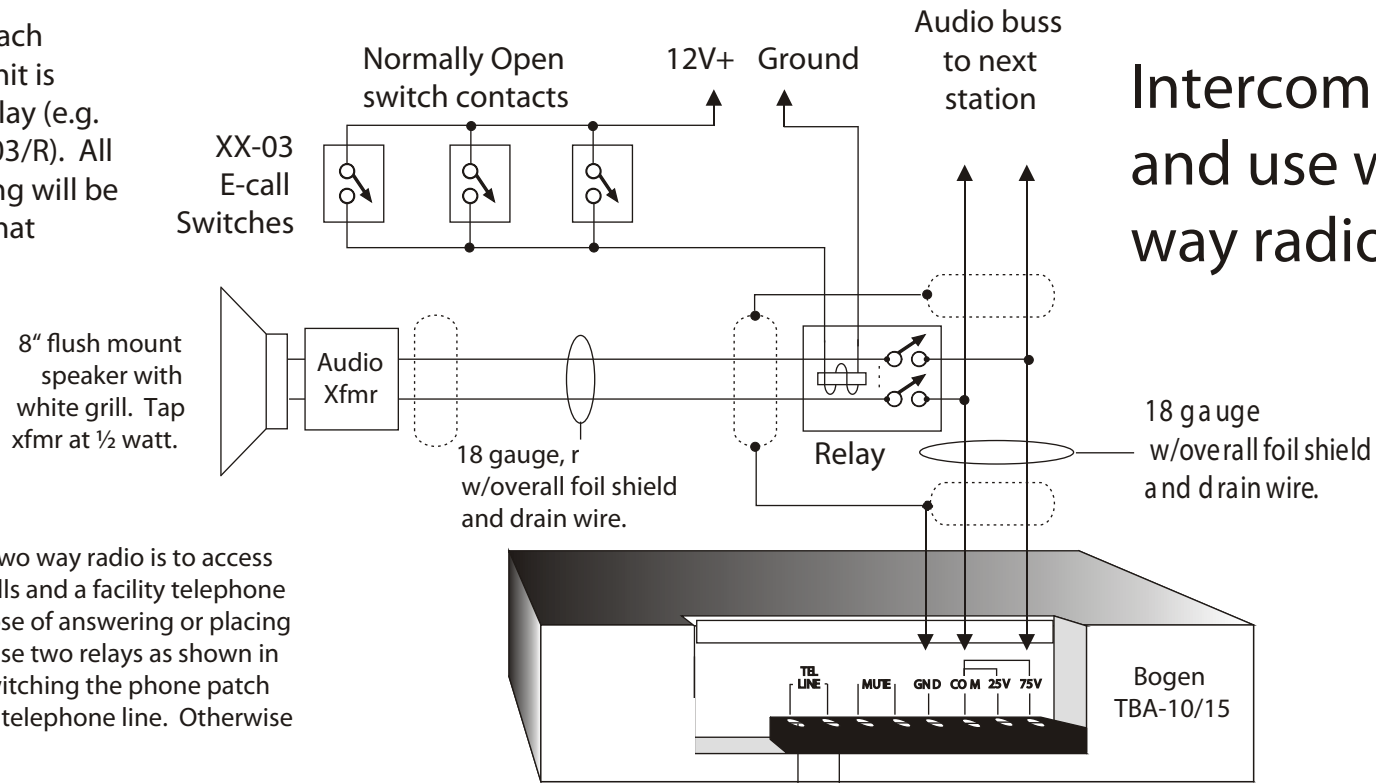
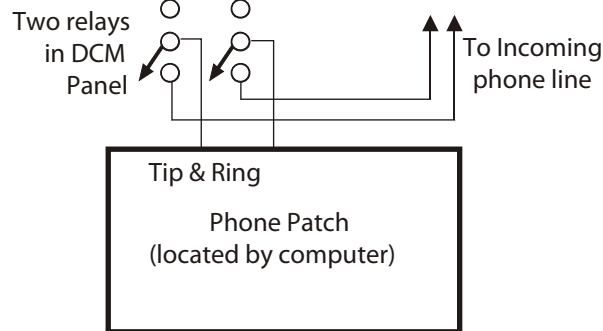
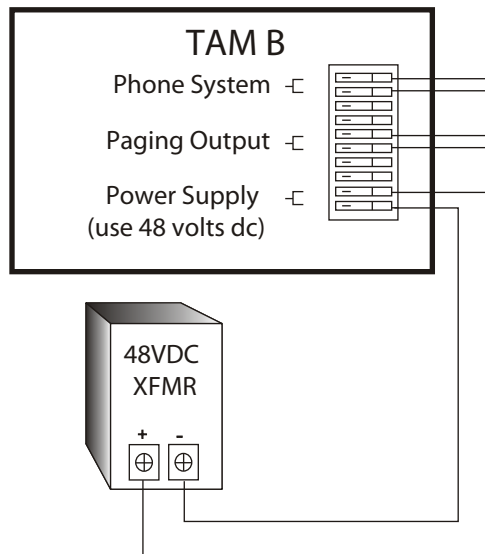


One switch in each apartment or unit is ordered with relay (e.g. RC-03/R or AC-03/R). All apartment wiring will be centralized to that switch.



Intercom wiring and use with two way radios.

If the hand held two way radio is to access both intercom calls and a facility telephone line for the purpose of answering or placing telephone calls, use two relays as shown in DCM panel for switching the phone patch from intercom to telephone line. Otherwise omit the relays.



Standard analog telephone

Intercom Wiring Schematic

CARECALLER
 (866) 252 2255
 www.carecaller.com